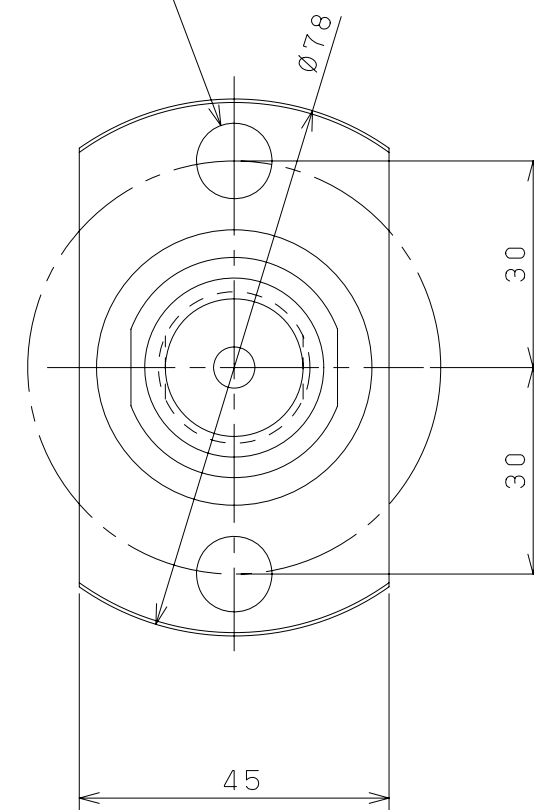


2-Ø11  
(P. C. D. 60)



DESCRIPTION				MATERIAL	HARDNESS	SCALE 1/1
△				TITLE DL40AC参考外觀図		MODEL DL40
△				DRAWING No.		
△						
No.	ALTERATION	DATE	SIGN			
DRAWN BY DATE '13.02.15 HASHIMOTO	INSPECTED BY DATE '13.02.15 HASHIMOTO	APPROVED BY DATE '13.02.15 HASHIMOTO				
				<b>LEXUS co.</b>		